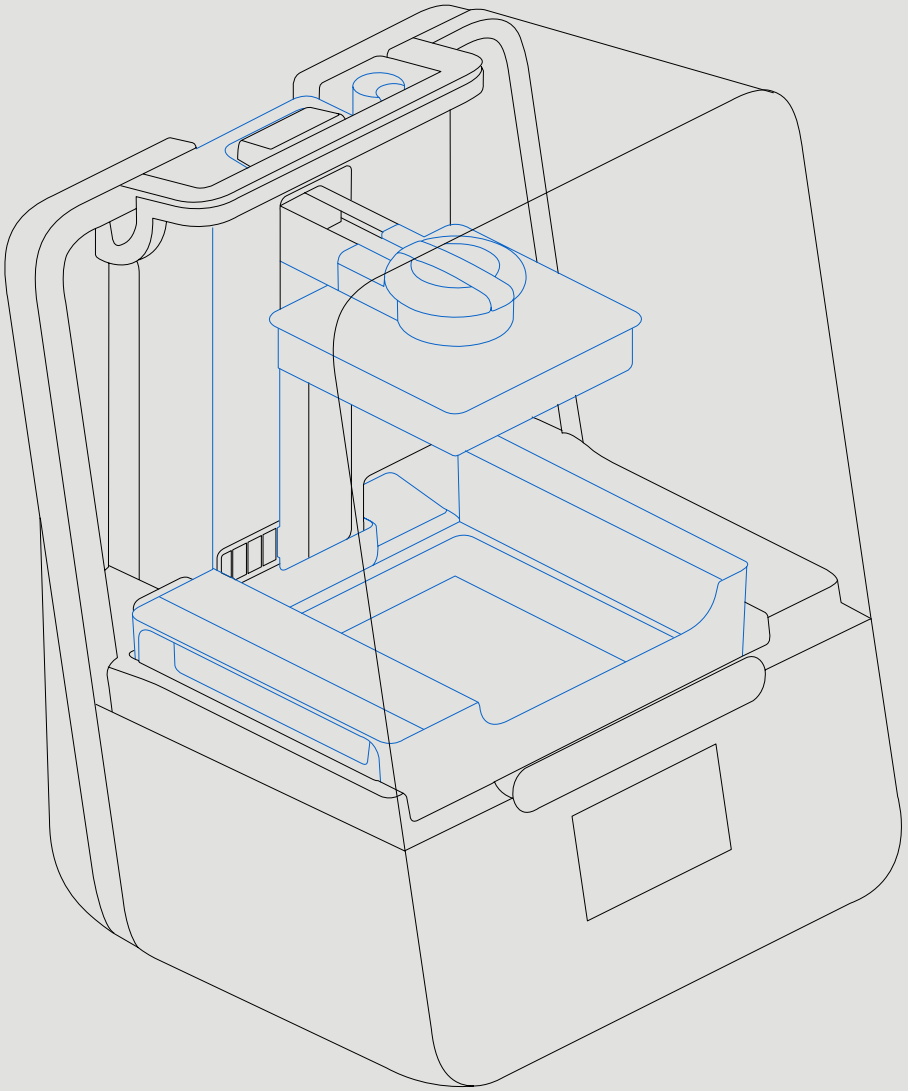


# Form 3 Technical Specifications



	Form 3 Printer	Resin Cartridge	Form 3 Resin Tank	Form 3 Build Platform
Shipping Dimensions	57×51×69 cm (22.5×20×27 in)	24×20×8 cm (9.5×8×3 in)	35×30×8 cm (14×11.8×3.3 in)	18×17×8 cm (7×6.75×3 in)
Shipping Weight	22.7 kg (50 lb)	1.5 kg (3.3 lb)	1.4 kg (3.1 lb)	0.67 kg (1.5 lb)
Product Weight	17.5 kg (38.6 lb)	1.35-1.6 kg (3-3.5 lb)	0.8 kg (1.8 lb)	0.65 kg (1.4 lb)

3D Printing Technology	Low Force Stereolithography (LFS)
Minimum Dimensions for Convenient Access	Width: 40 cm (15.5 in) Depth: 53 cm (21 in) Height: 78 cm (30.5 in)
Weight	17.2 kg (37.9 lb)
Operating Temperature	Auto-heats to 35 °C (95 °F)
Temperature Control	Air heated print chamber
Power Requirements	100–240 V ~ 2.5 A 50/60 Hz 220 W
Laser Specifications	1 Light Processing Unit EN 60825-1:2014 certified Class 1 Laser Product 405 nm violet laser 250 mW laser
Laser Spot Size (FWHM)	85 microns (0.0033 in)
Radiation Information	The Form 3 is a Class 1 Laser product. Accessible radiation is within Class 1 limits.
Connectivity	Wi-Fi, Ethernet, and USB
Ethernet Connectivity	RJ-45 Ethernet (10BASE-T/100BASE-TX/1000BASE-T) LAN Port Connect with an Ethernet cable (not included): minimum Cat5, or Cat5e or Cat6 for 1000BASE-T.
Wi-Fi Connectivity	Protocol: IEEE 802.11 b/g/n Frequency: 2.4 GHz, 5 GHz Supported security: WPA/WPA2
Sound Emission	Does not exceed 70 dB(A).
Printer Control	Interactive touchscreen
Resin Fill System	Automated
Build Volume	145×145×185 mm 5.7×5.7×7.3 in
Supports	Auto-Generated Removable